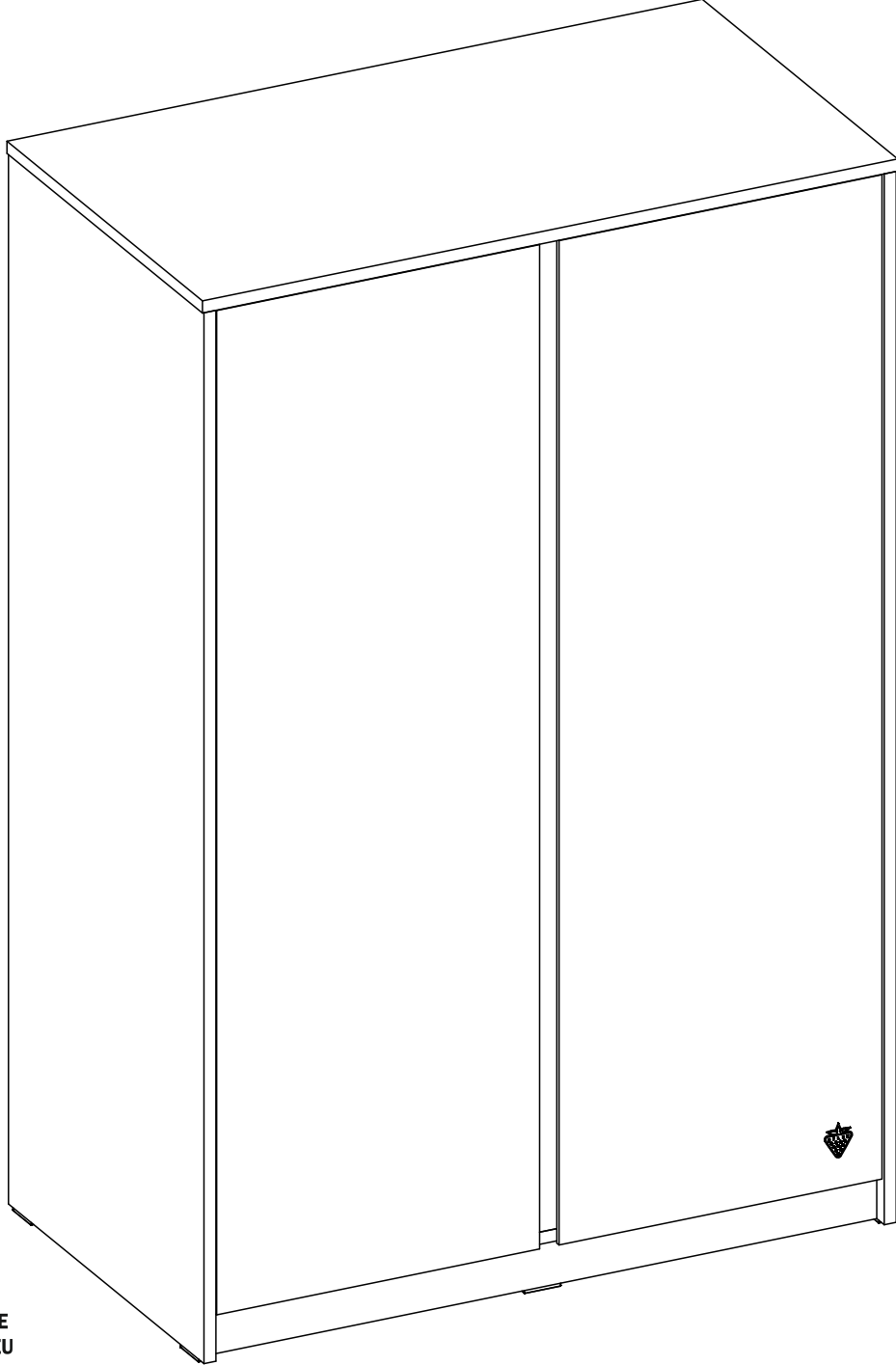


# 20.30.1413.00

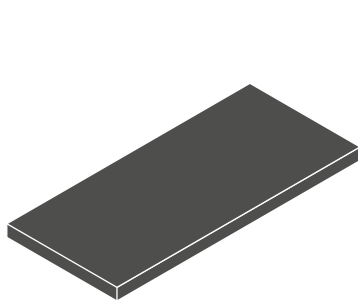
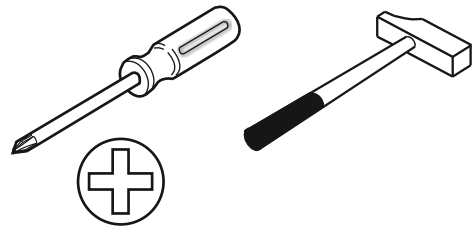
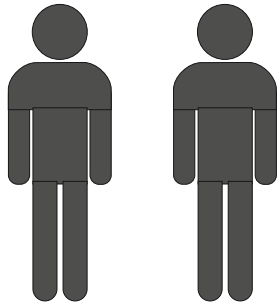


GARANTİ BELGESİ VE  
KULLANMA KILAVUZU

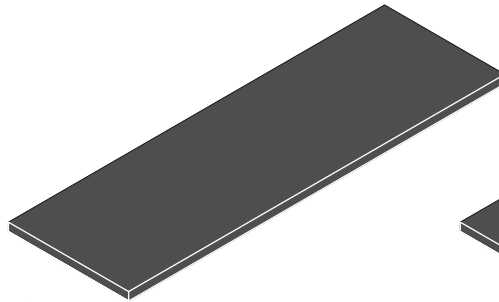


WARRANTY CERTIFICATE  
AND USER MANUAL

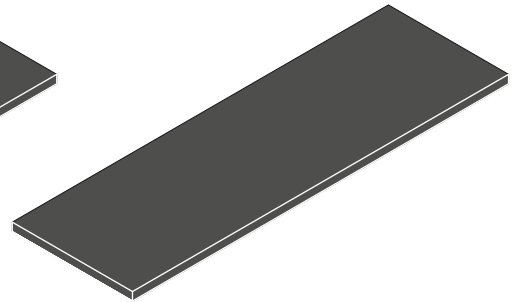




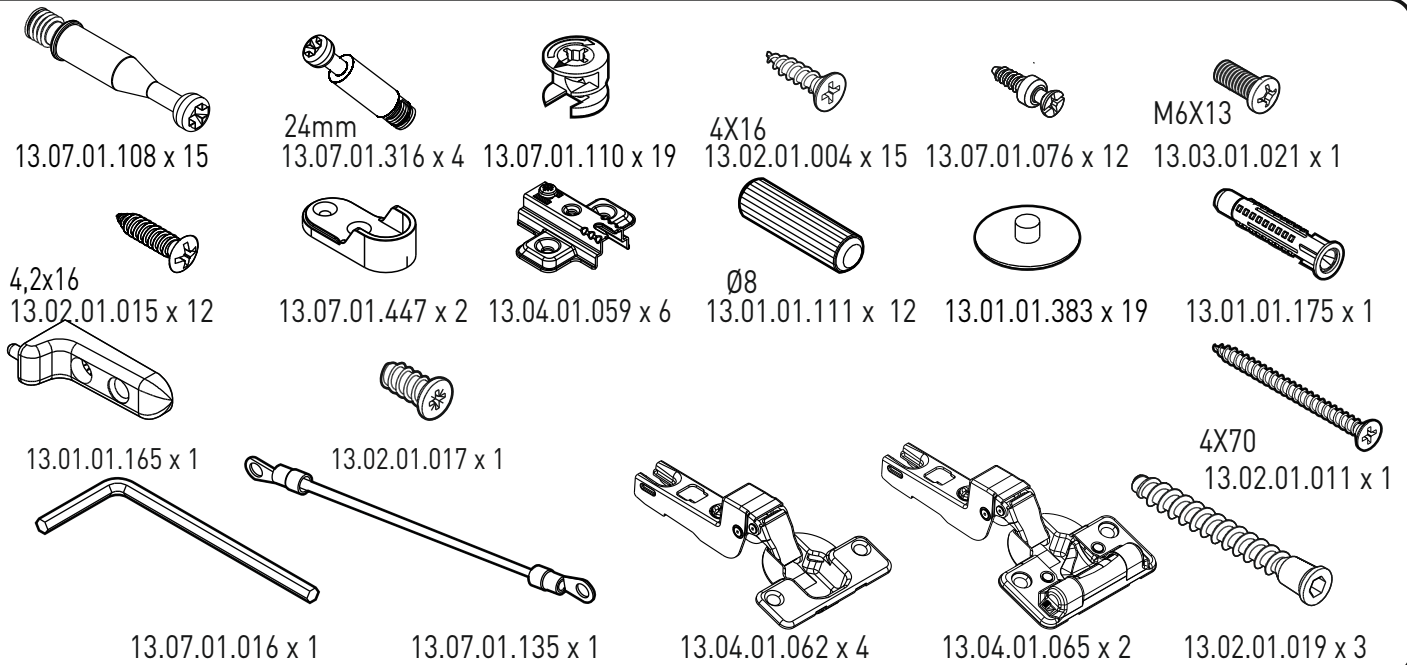
1 / 3



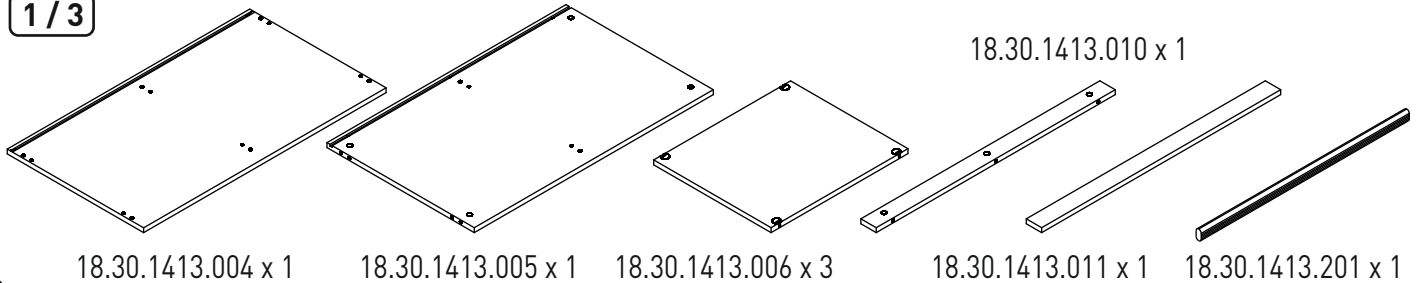
2 / 3



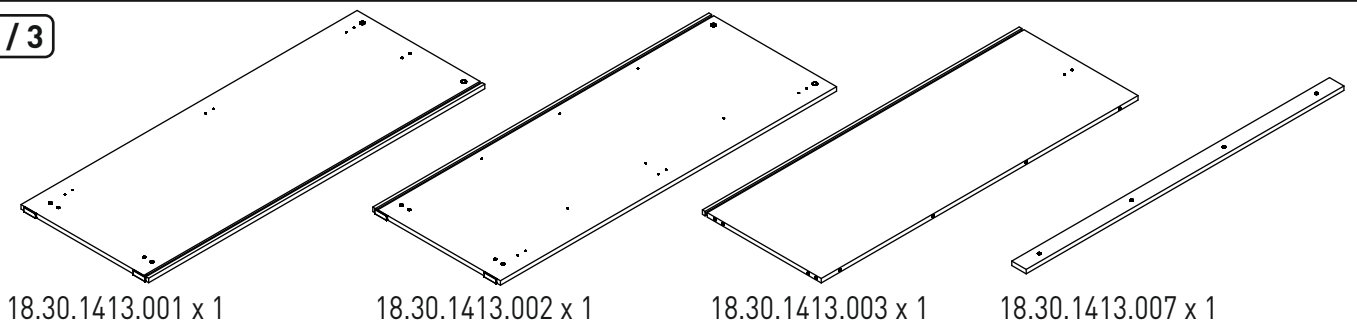
3 / 3



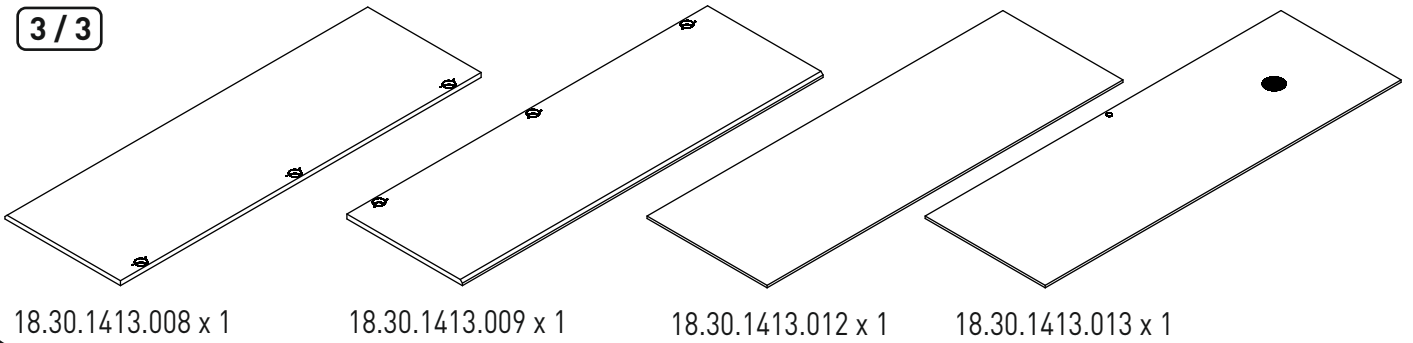
1 / 3



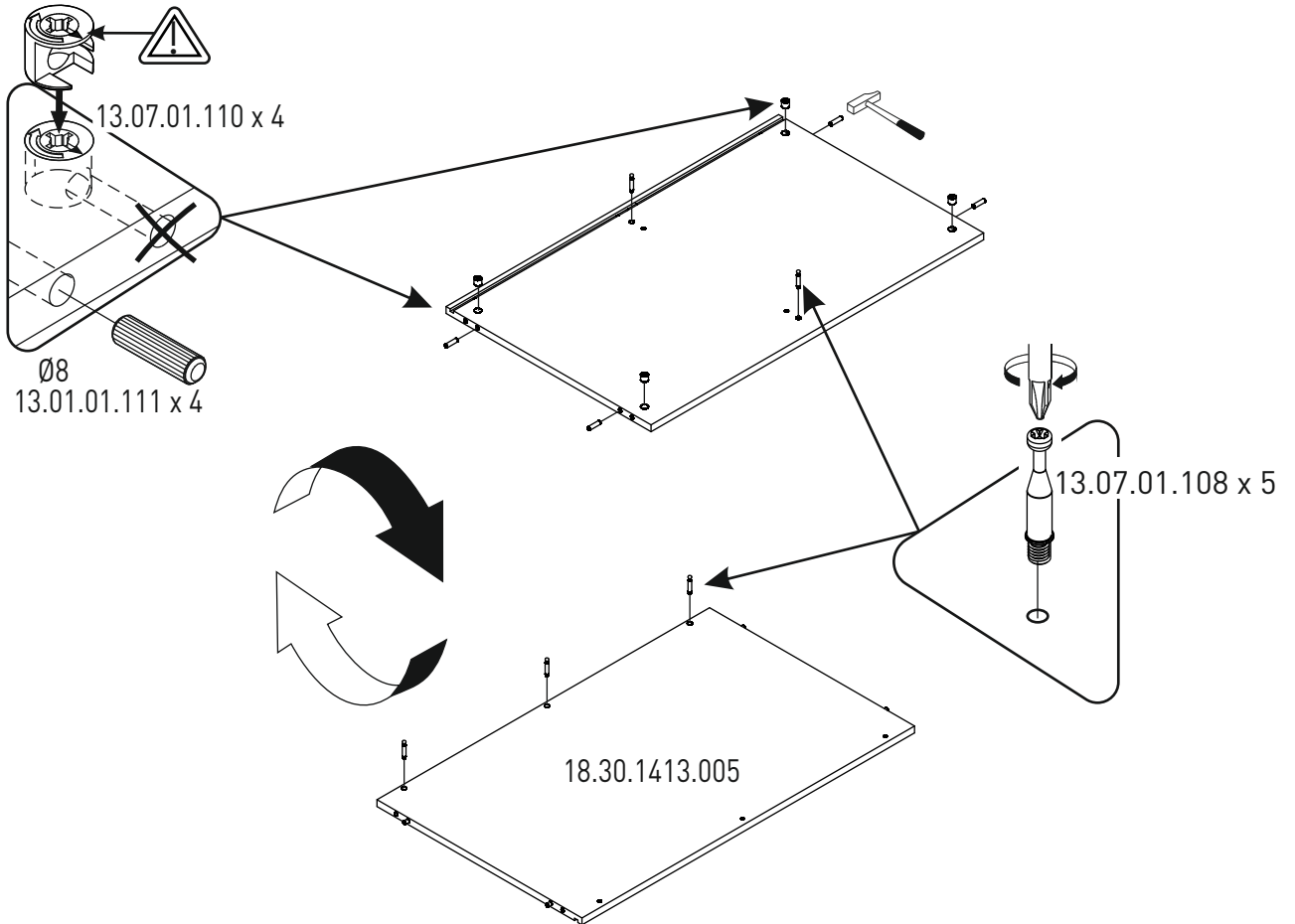
2 / 3



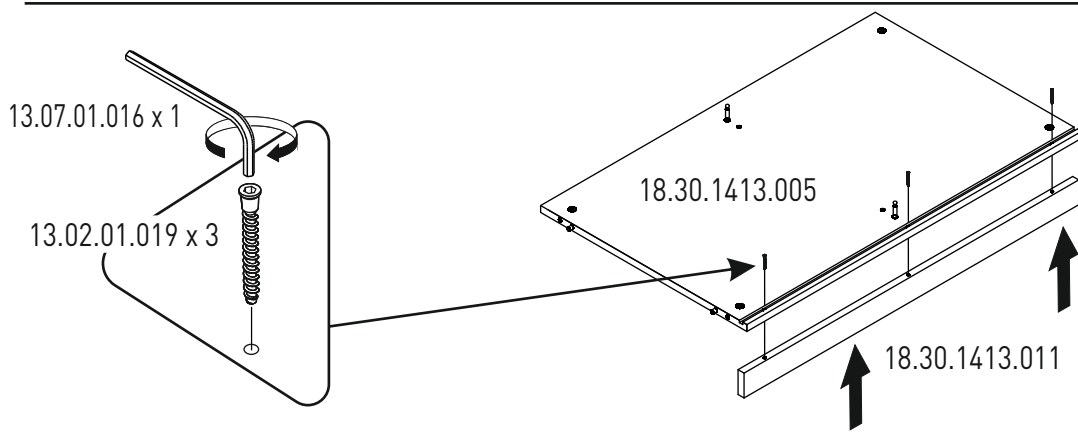
3/3



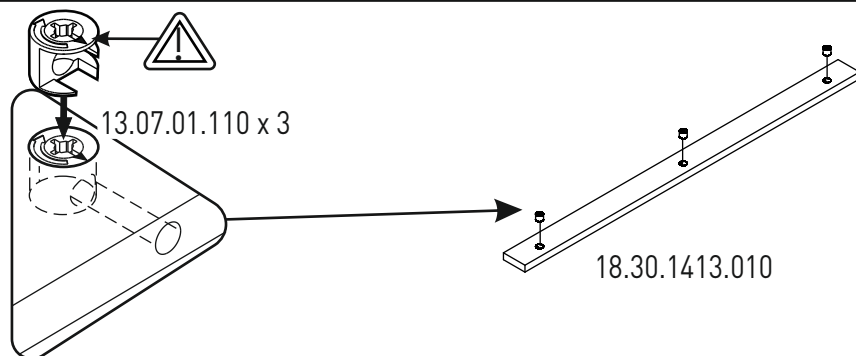
1



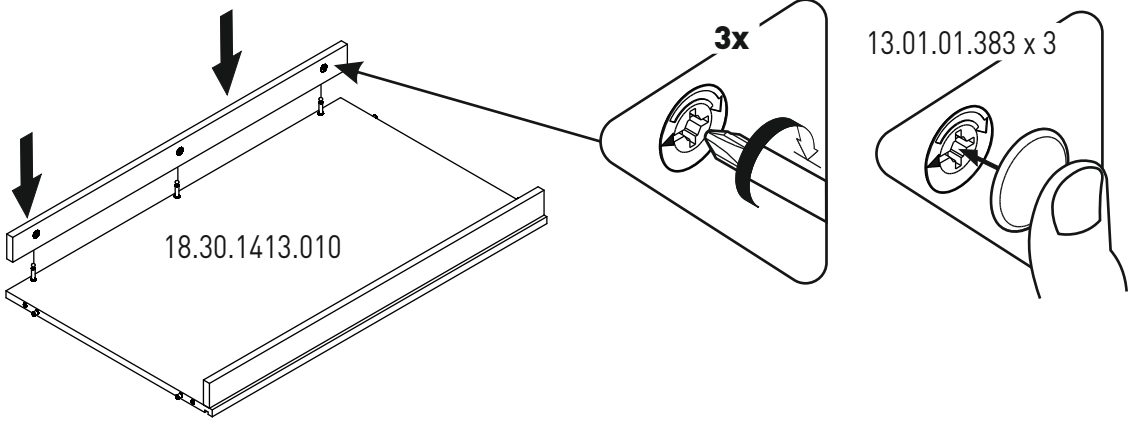
2



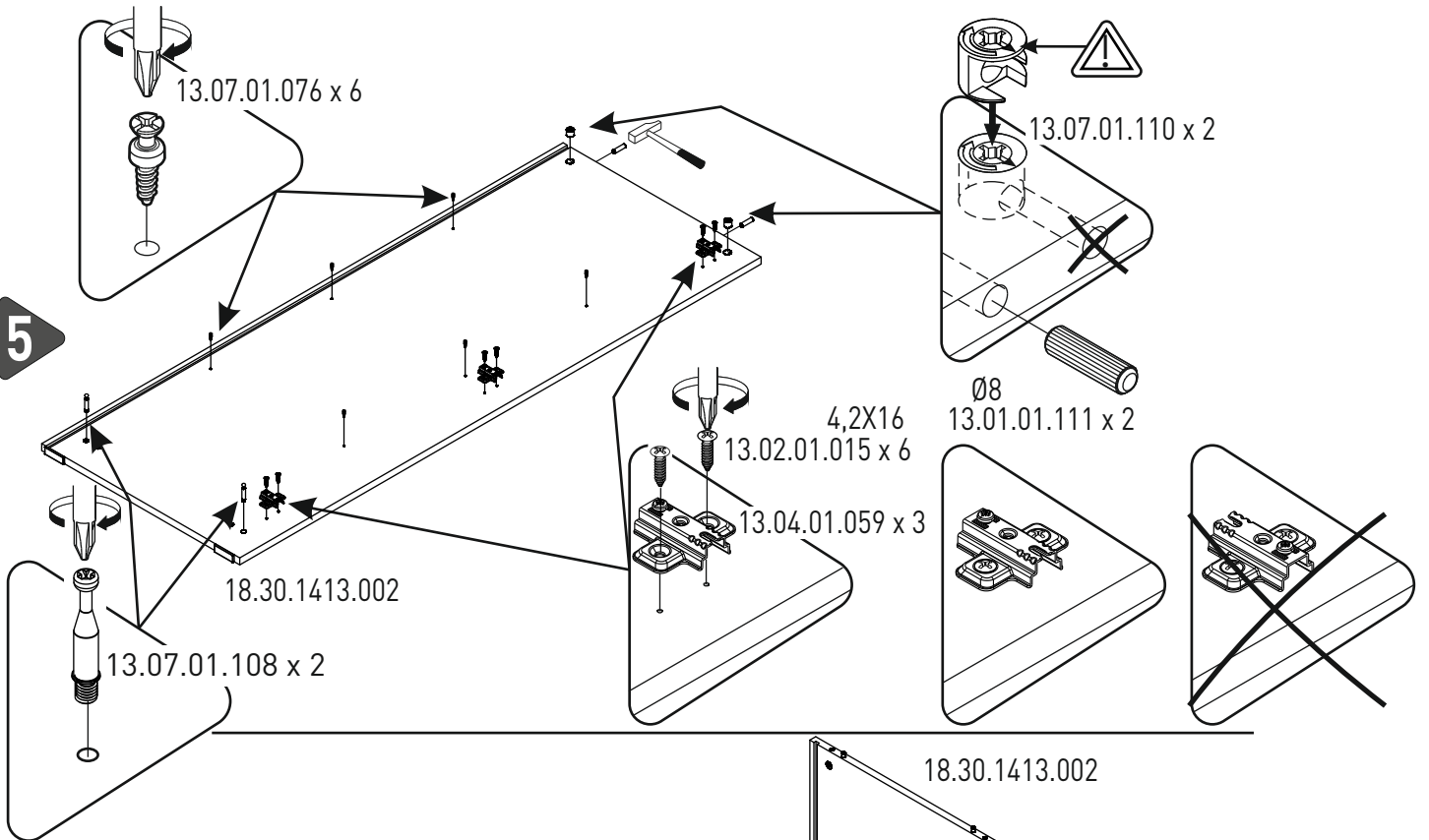
3



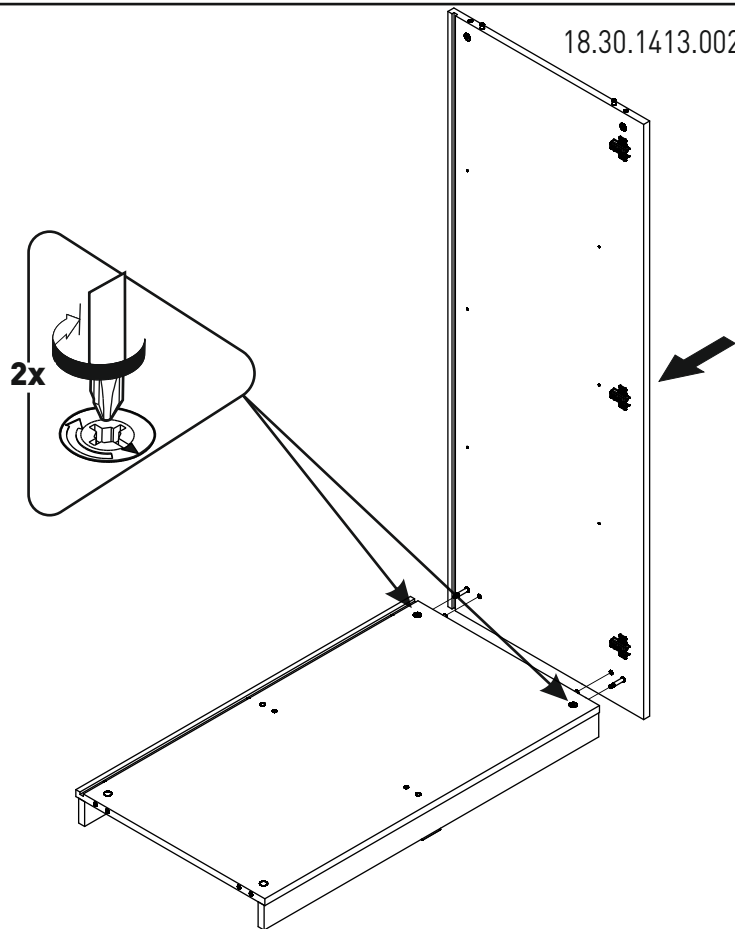
4



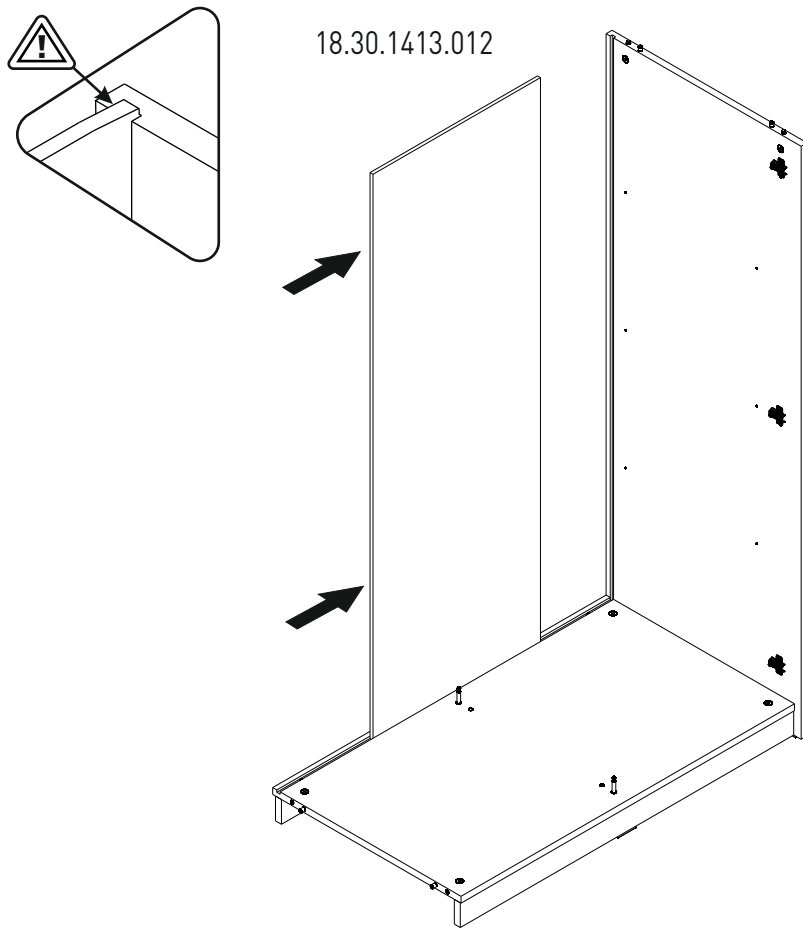
5



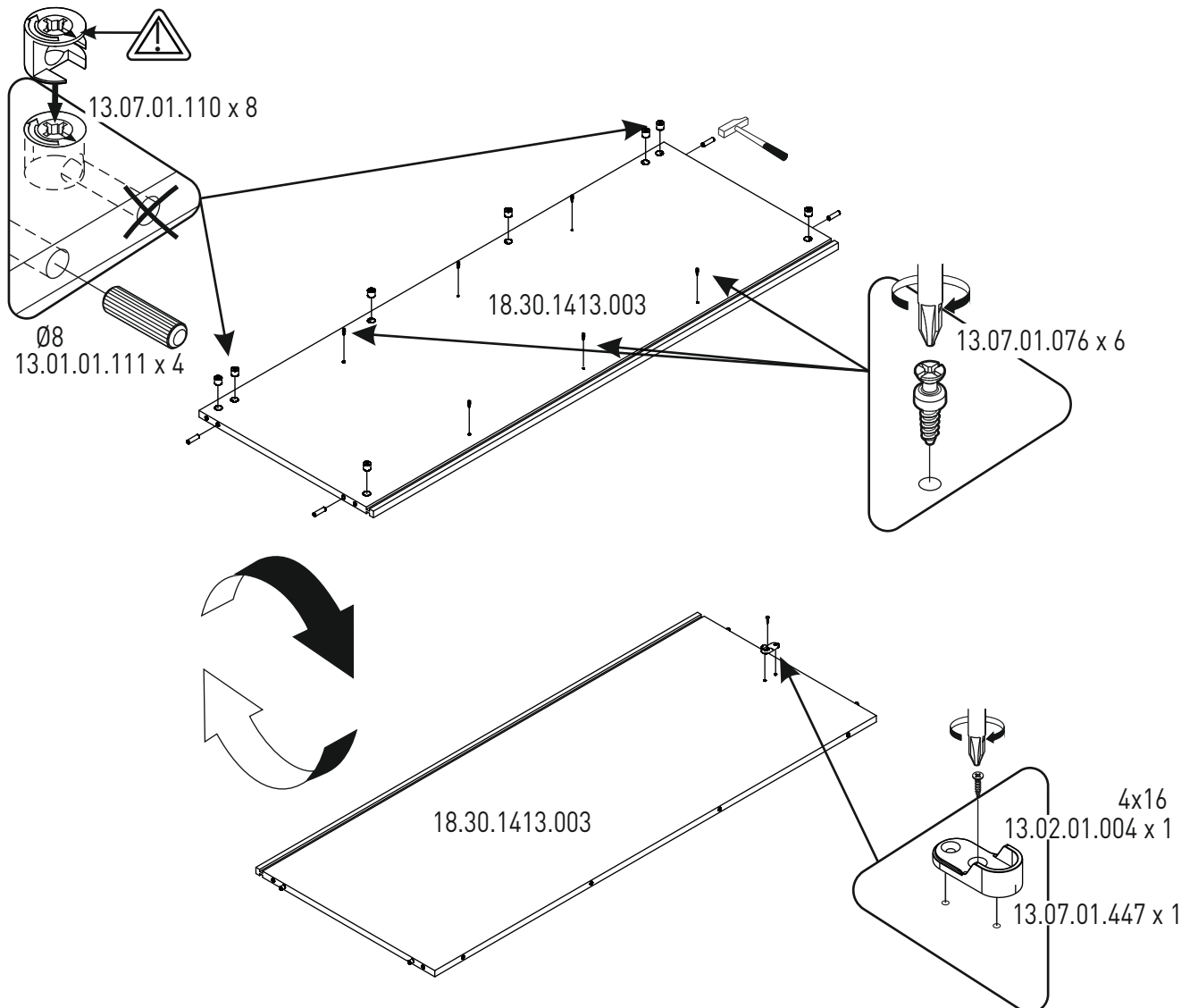
6



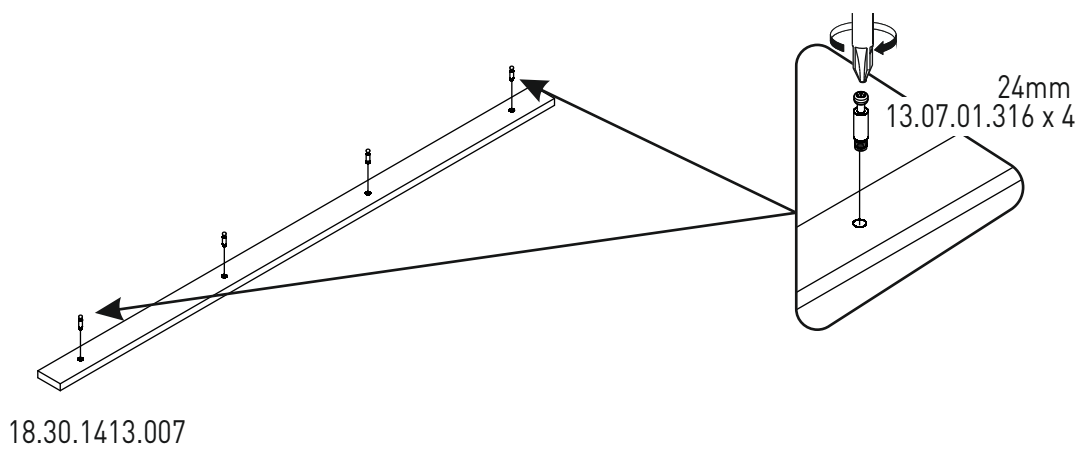
7



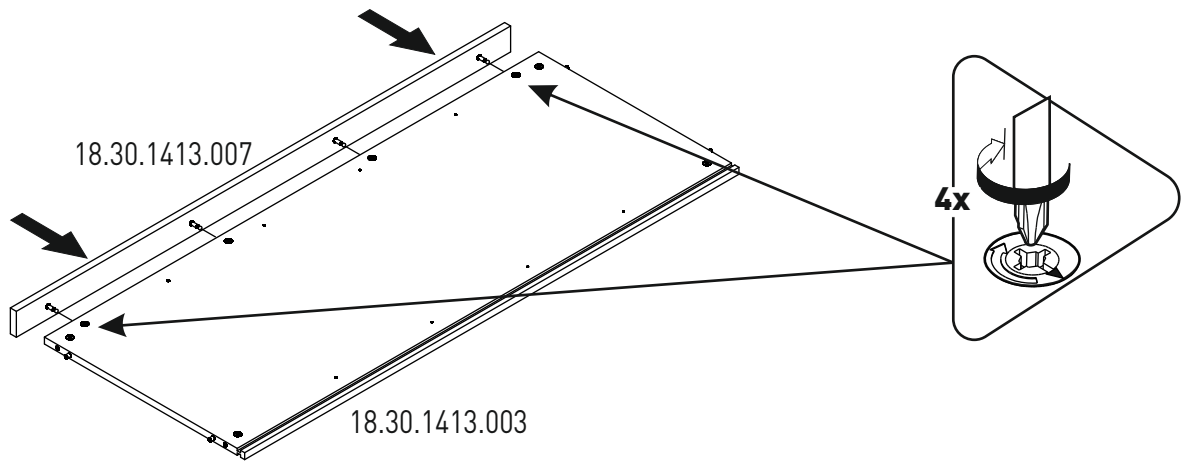
8



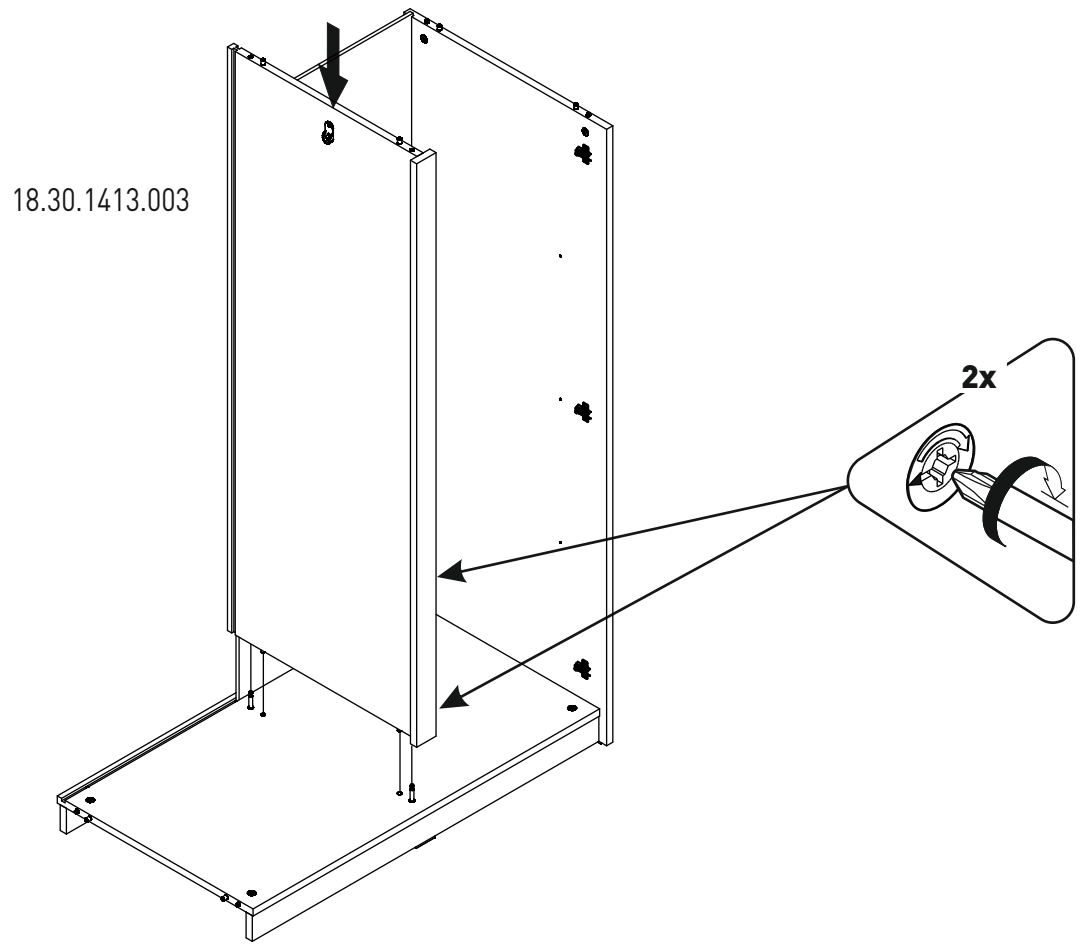
9



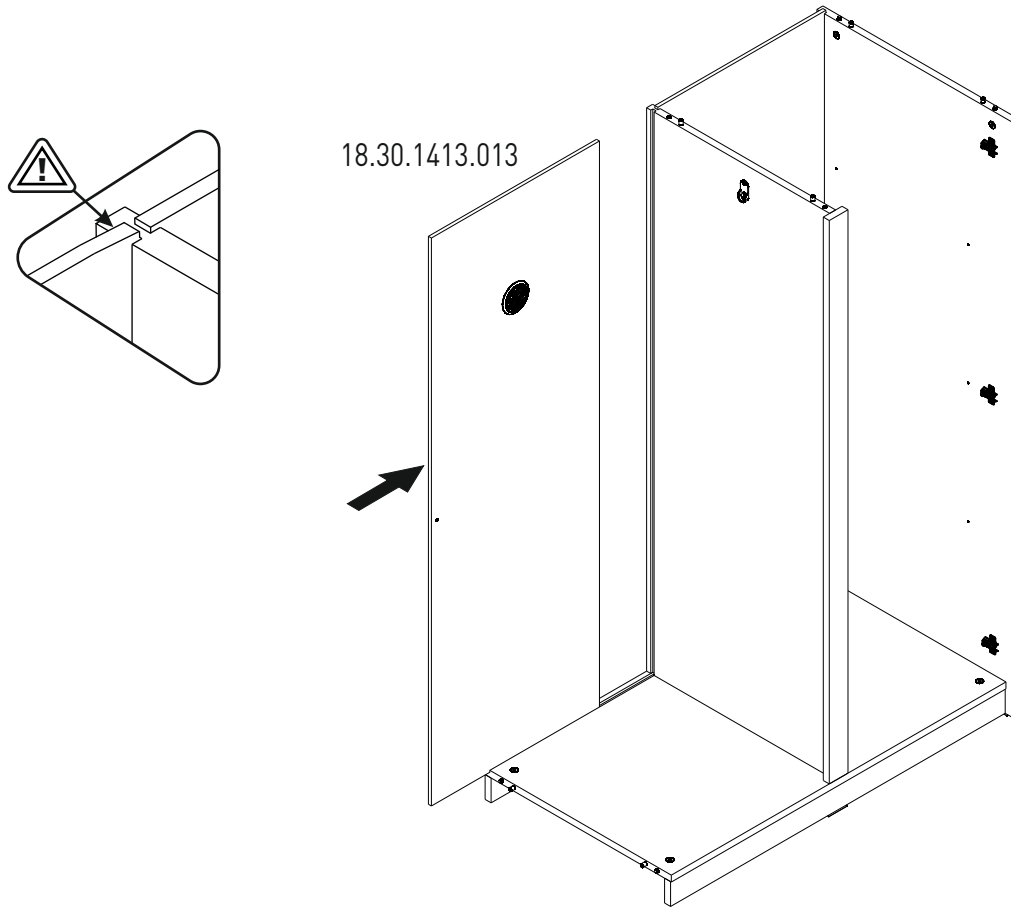
10



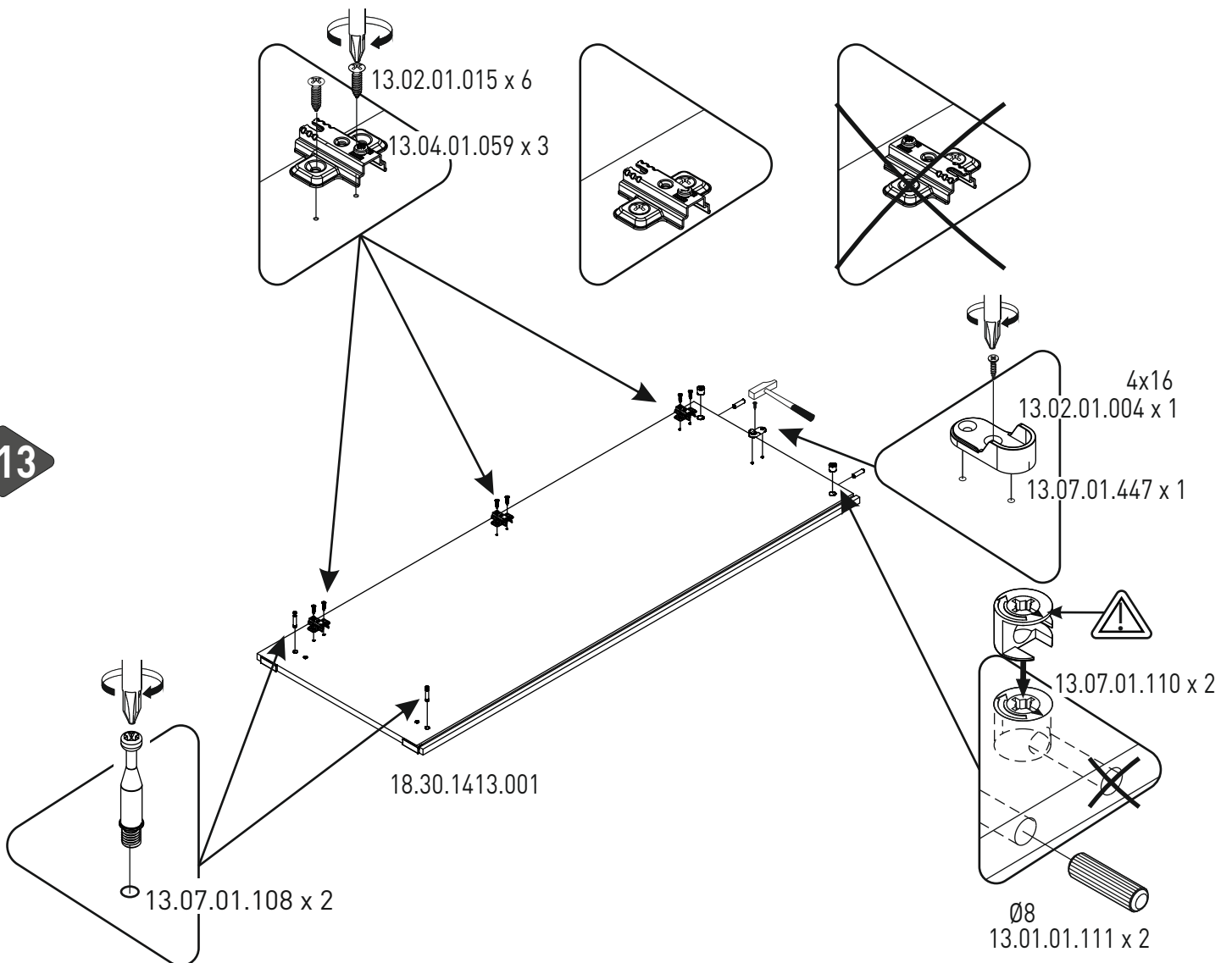
11



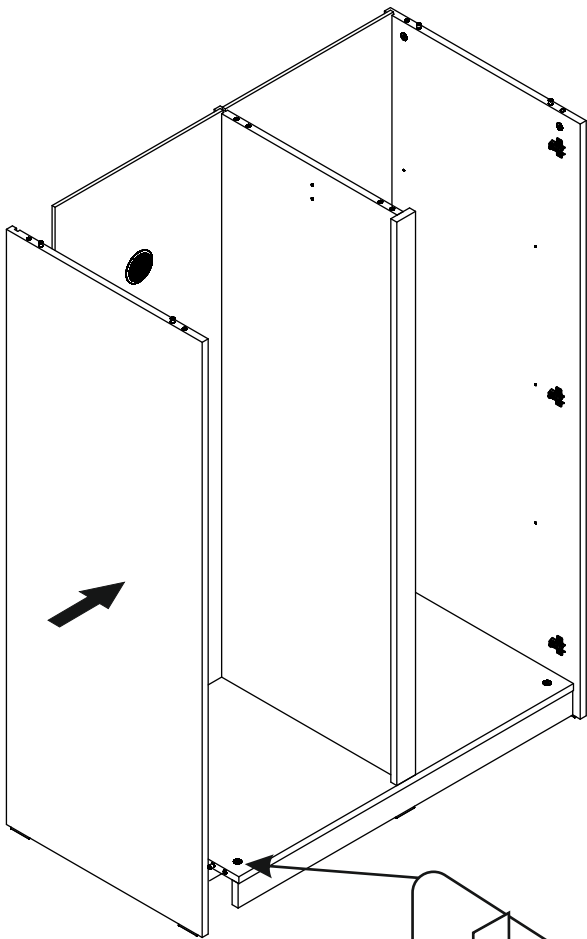
12



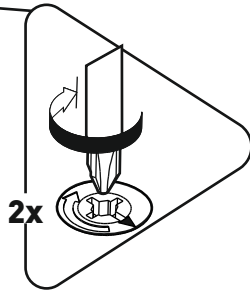
13



14

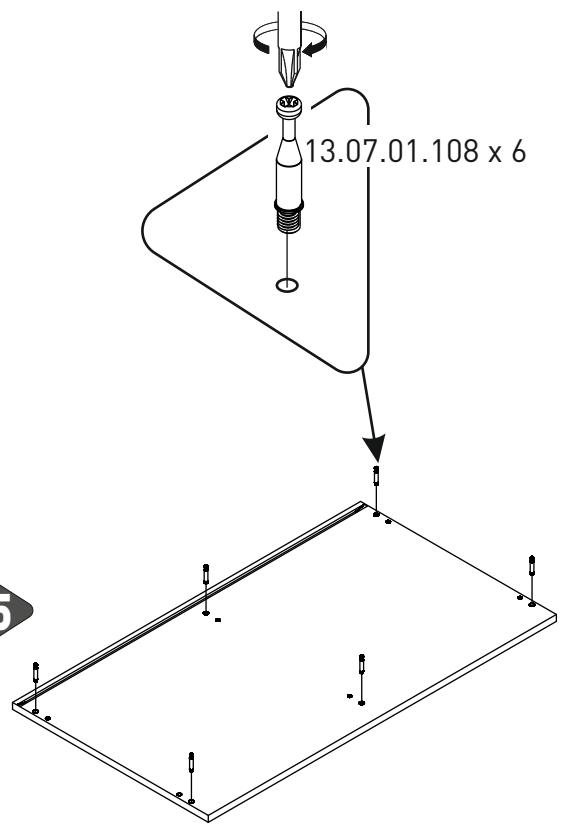


18.30.1413.001



2x

15

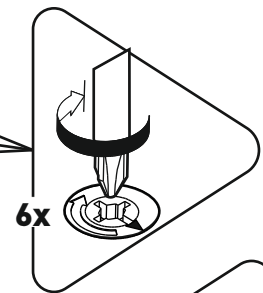
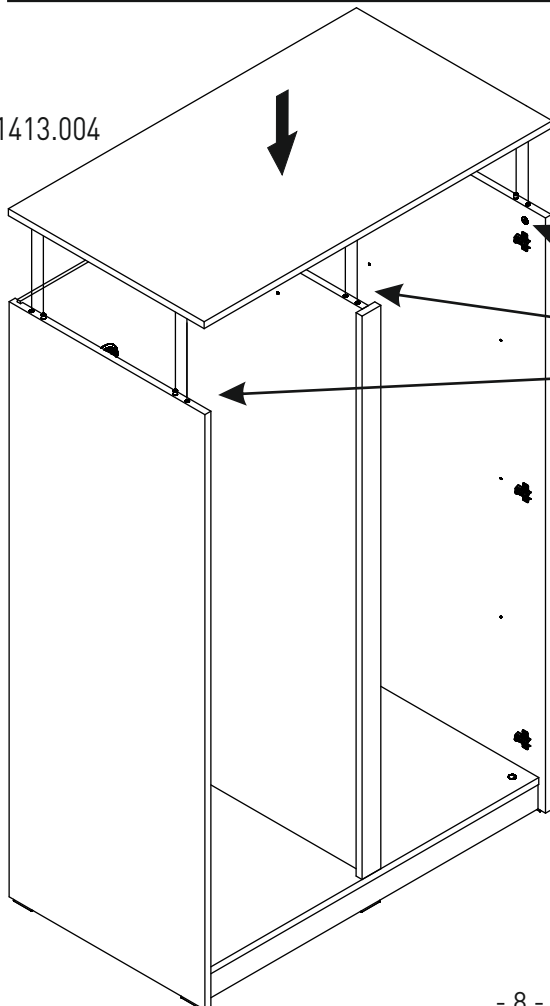


13.07.01.108 x 6

18.30.1413.004

18.30.1413.004

16

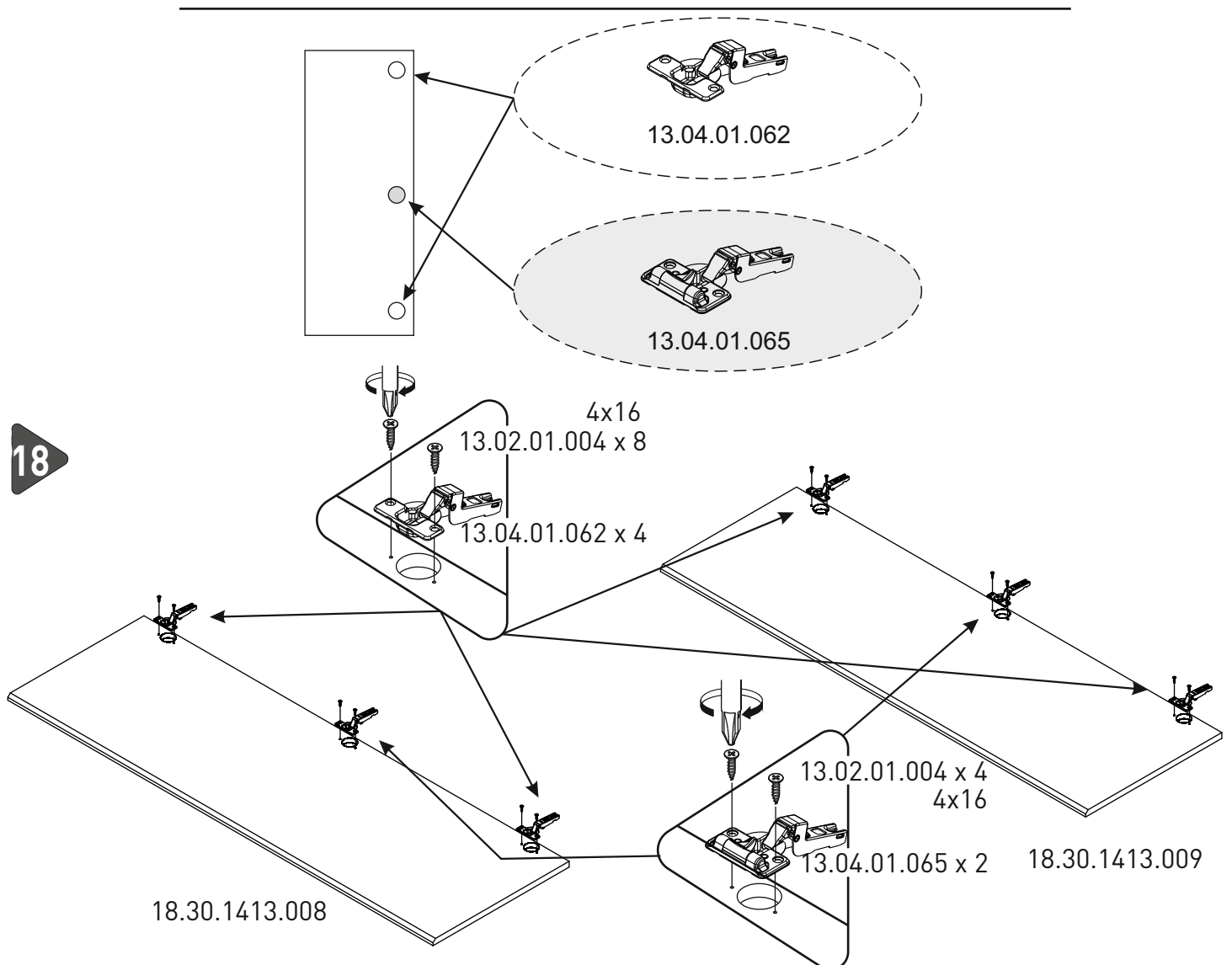
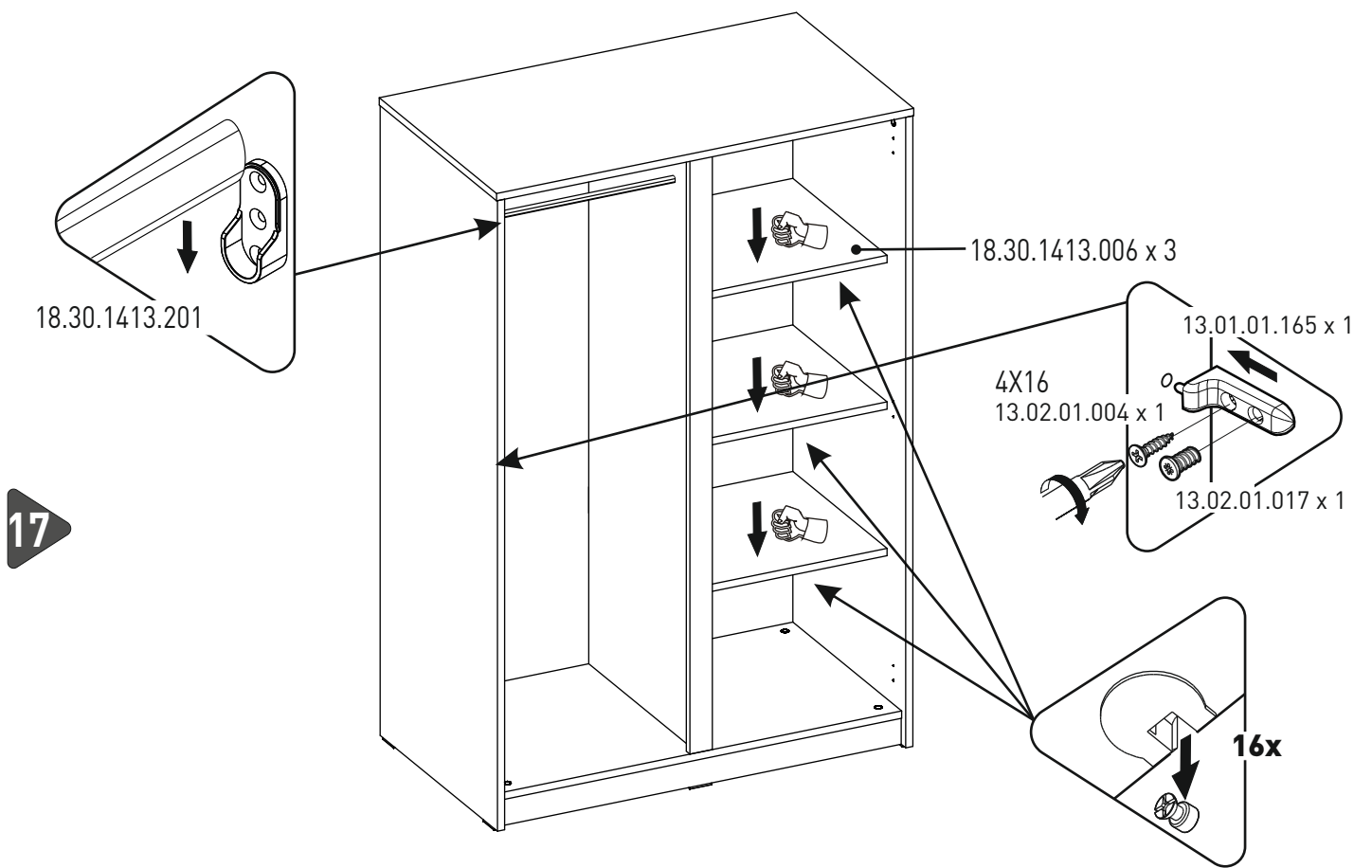


6x

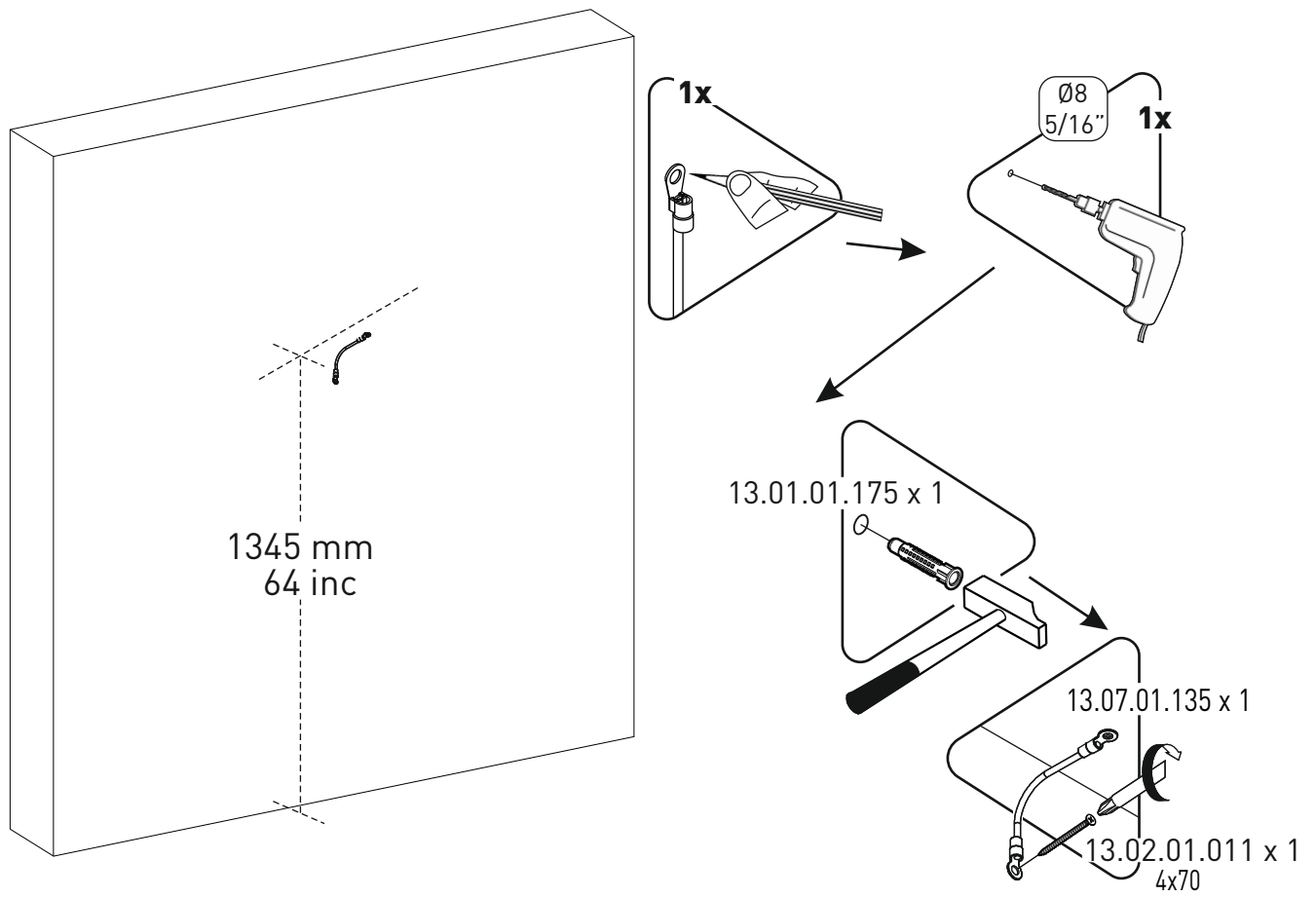


13.01.01.383 x 16

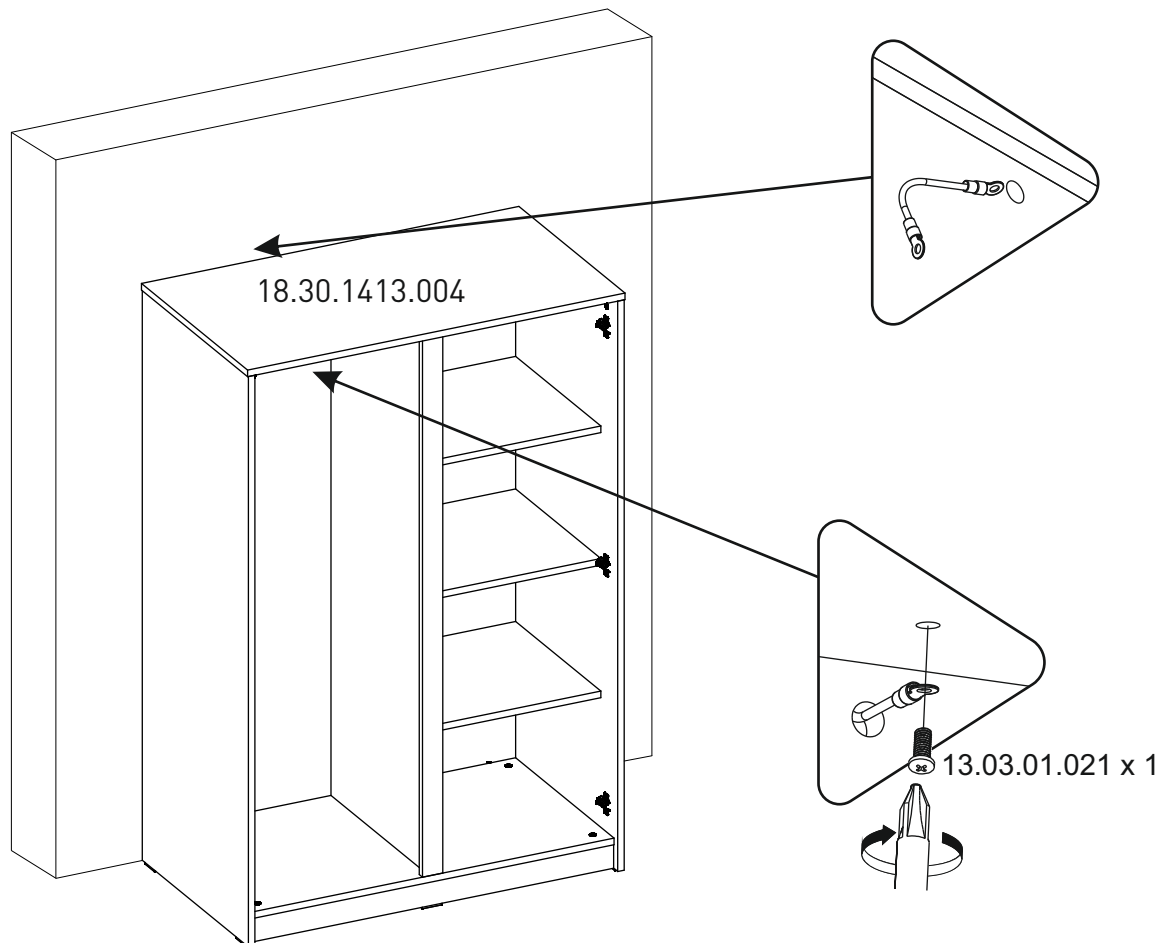




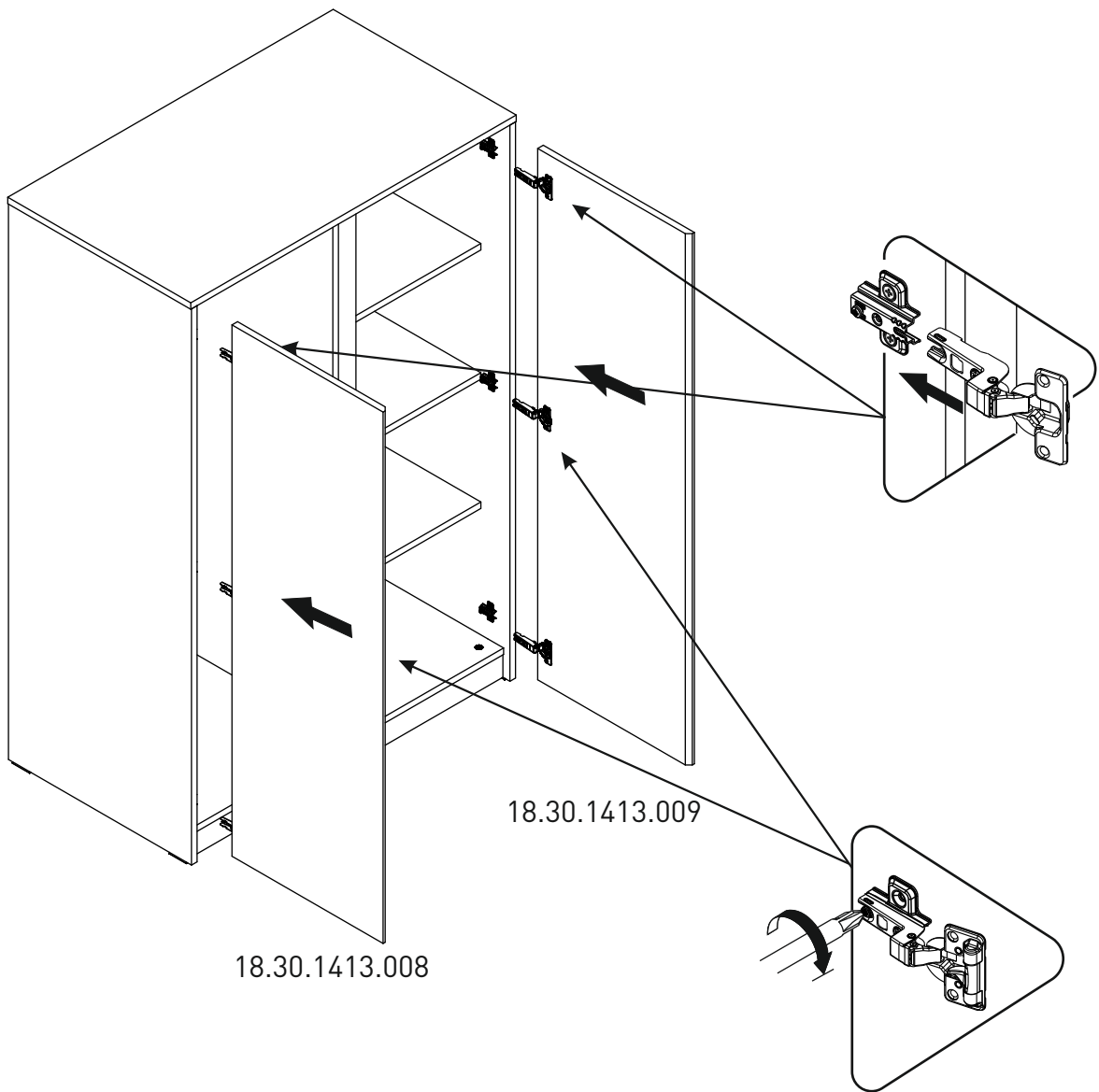
19



20



21



!

